

COMUNELLO

GATE DIVISION



Life
made
easy

MADE IN ITALY

Special Hinges | Industrial Gate

177



Hinge with u-bolt for 180° opening

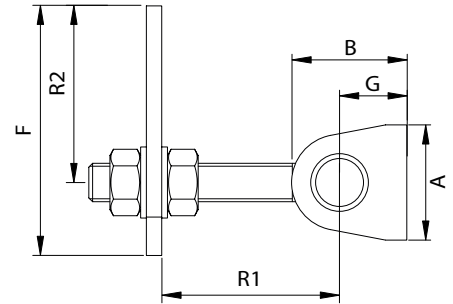
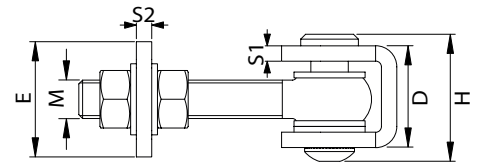
Gond avec crampillon pour ouverture à 180°

Torband mit U-Bügel für 180° Öffnung

Bisagra con pletina para apertura a 180°

Пластина со скобой с открытием на 180°

Cardine con cavallotto per apertura a 180°



code			A	B	D	E	F	G	H	M	R1	R2	S1	S2		
10819405 001	177-M12	zinc	35	40	37.5	45	75	24	48	M12	32-81	45-60	5	6	50 Kg*	10
10819410 001	177-M16	zinc	40	47	39	60	87.5	30	49.5	M16	38-98	51-70	6	7	75 Kg*	10
10819415 001	177-M20	zinc	60	60	53	60	130	35	66	M20	43-103	88-108	8	8	125 Kg*	10
10819420 001	177-M24	zinc	60	60	53	70	130	35	67	M24	56-113	85-105	8	12	200 Kg*	10

177

Hs700
COVER SYSTEM



Hinge with u-bolt for 180° opening

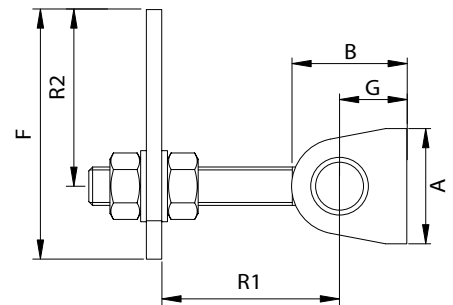
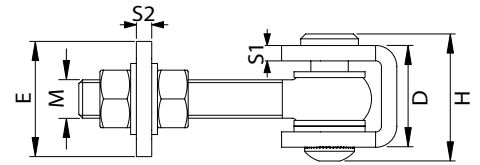
Gond avec crampillon pour ouverture à 180°

Torband mit U-Bügel für 180° Öffnung

Bisagra con pletina para apertura a 180°

Пластина со скобой с открытием на 180°

Cardine con cavallotto per apertura a 180°



code			A	B	D	E	F	G	H	M	R1	R2	S1	S2		
10819405 018	177-M12 HS700	Hs700	35	40	37.5	45	75	24	48	M12	32-81	45-60	5	6	50 Kg*	10
10819410 018	177-M16 HS700	Hs700	40	47	39	60	87.5	30	49.5	M16	38-98	51-70	6	7	75 Kg*	10
10819415 018	177-M20 HS700	Hs700	60	60	53	60	130	35	66	M20	43-103	88-108	8	8	125 Kg*	10
10819420 018	177-M24 HS700	Hs700	60	60	53	70	130	35	67	M24	56-113	85-105	8	12	200 Kg*	10

Cover System HS-700

applied to protect metallic parts from corrosion.

- Water-based chemistry
- Chrome free
- High corrosion resistance

Salt Spray Test
(ISO 9227/ASTM B117)

> 240 hours without white rust

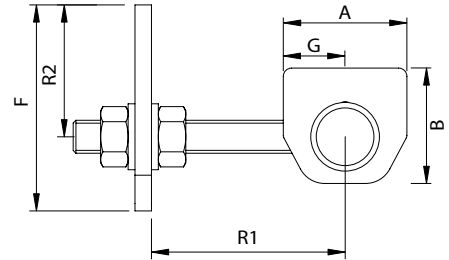
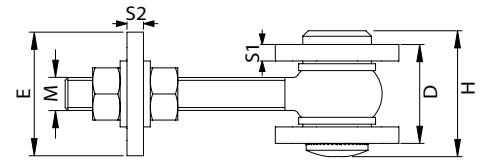
> 720 hours without red rust

178



Hinge with wings for 180° opening

Gond avec ailes pour ouverture à 180°
Torband mit Laschen für 180° Öffnung
Bisagra con palas para apertura a 180°
Петля с полками с открытием на 180°
Cardine con ali per apertura a 180°



code			A	B	D	E	F	G	H	M	R1	R2	S1	S2		
10819505 001	178-M12	galvanized	45	42	35	45	75	25	46	M12	32-81	45-60	5,5	6	50 Kg*	10
10819510 001	178-M16	galvanized	45	42	35	60	87.5	25	46	M16	38-98	51-70	5,5	7	75 Kg*	10
10819515 001	178-M20	galvanized	55	58	47	60	130	35	60	M20	43-103	88-108	8	8	125 Kg*	10
10819520 001	178-M24	galvanized	55	58	53	70	130	35	66	M24	56-113	85-105	8	12	200 Kg*	10

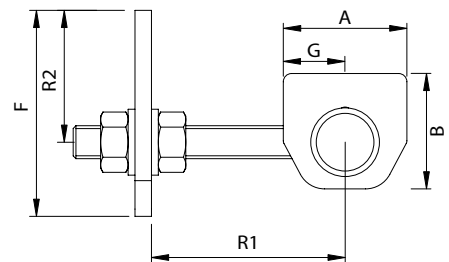
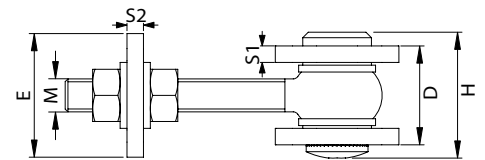
178

Hs700
COVER SYSTEM



Hinge with wings for 180° opening

Gond avec ailes pour ouverture à 180°
Torband mit Laschen für 180° Öffnung
Bisagra con palas para apertura a 180°
Петля с полками с открытием на 180°
Cardine con ali per apertura a 180°



code			A	B	D	E	F	G	H	M	R1	R2	S1	S2		
10819505 018	178-M12 Hs700	Hs700	45	42	35	45	75	25	46	M12	32-81	45-60	5,5	6	50 Kg*	10
10819510 018	178-M16 Hs700	Hs700	45	42	35	60	87.5	25	46	M16	38-98	51-70	5,5	7	75 Kg*	10
10819515 018	178-M20 Hs700	Hs700	55	58	47	60	130	35	60	M20	43-103	88-108	8	8	125 Kg*	10
10819520 018	178-M24 Hs700	Hs700	55	58	53	70	130	35	66	M24	56-113	85-105	8	12	200 Kg*	10

Cover System HS-700

applied to protect metallic parts from corrosion.

- Water-based chemistry
- Chrome free
- High corrosion resistance

Salt Spray Test
(ISO 9227/ASTM B117)

> 240 hours without white rust

> 720 hours without red rust

Life
made
easy



FRATELLI COMUNELLO S.P.A.

GATE DIVISION

Via Cassola, 64 - C.P. 79

36027 Rosà, Vicenza, Italy

Tel. +39 0424 585111 Fax +39 0424 533417

info@comunello.it

comunello.com